

## 高速喷墨绘图仪



双喷最高喷绘速度110m<sup>2</sup>/h, 四喷最高喷绘速度200m<sup>2</sup>/h  
2-cartridge with maximum printing speed at 110m<sup>2</sup>/h  
4-cartridge with maximum printing speed at 200m<sup>2</sup>/h

### 机器特点

- 稳定高速打印, 双喷最高喷绘速度110m<sup>2</sup>/h, 四喷最高喷绘速度200m<sup>2</sup>/h。
- 采用高强度航空铝型材。
- 标准为前送纸/后送纸结构, 可选配双上纸结构。
- 主动送料方式, 可提供自动收料或自动垂落两种收料模式。
- 自主研发供墨系统, 配合使用HP45墨盒, 喷墨质量清晰稳定。
- 卡纸或纸张用完, 自动报警。
- 可持续不间断工作, 适合长时间大量绘图。
- 伺服控制系统, 提高打印精度。
- 配置高清触摸屏, 显示清晰, 操作方便。
- 支持位图打印功能。

### 推荐型号 Models

推荐型号 Models	最大绘制宽度 Plotting Width ≤	最大进纸宽度 Paper Width ≤
GOA-SP-1-2, SP-NM-ID-1-1600-I-WC2-FF-1P220	1650mm	1800mm
GOA-SP-1-2, SP-NM-ID-1-1600-I-WC4-FF-1P220	1650mm	1800mm
GOA-SP-1-2, SP-NM-ID-1-1800-I-WC2-FF-1P220	1850mm	2000mm
GOA-SP-1-2, SP-NM-ID-1-1800-I-WC4-FF-1P220	1850mm	2000mm
GOA-SP-1-2, SP-NM-ID-1-2000-I-WC2-FF-1P220	2050mm	2200mm
GOA-SP-1-2, SP-NM-ID-1-2000-I-WC4-FF-1P220	2050mm	2200mm
GOA-SP-1-2, SP-NM-ID-1-2200-I-WC2-FF-1P220	2250mm	2400mm
GOA-SP-1-2, SP-NM-ID-1-2200-I-WC4-FF-1P220	2250mm	2400mm

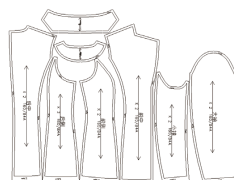
## Magic Inkjet Plotter

### 适用范围

服装、鞋帽、手套、箱包、汽车、家纺、医疗等。

### Application

Clothing, shoes and hats making, gloves, bags, cars, home textile and medical products industries, etc.



PLT打印  
PLT Printing



位图打印  
Bitmap Printing

### Features

- With stable high-speed printing, 2-cartridge with maximum printing speed at 110m<sup>2</sup>/h, 4-cartridge with maximum printing speed at 200m<sup>2</sup>/h.
- High-strength aviation grade aluminium profile.
- Standard with either front paper loading or back paper loading, option with dual feeding version.
- Active feeding method, two finish modes are available, automatic rewinding or dropping freely.
- Independently developed ink supply system, combined with HP45 ink cartridges, the inkjet quality is clear and stable.
- Automatically alarm when paper jams or paper runs out.
- Continuous and uninterrupted work, suitable for long-term mass drawing.
- Servo motor control system, improves printing precision.
- Equipped with high-definition touch screen, clear display and easy operation.
- Support bitmap printing function.

# 高速喷墨绘图仪

## Magic Inkjet Plotter

### 机器参数 Parameters

墨盒数: No. of Cartridge: 2/4	硬件接口: 网络RJ45 Hardware Interface: Network Cable RJ45
送纸系统: 自动送纸 Paper Feeding System: Auto-Feeding Paper	兼容软件: 兼容市面上绝大多数服装CAD Compatible Software: Compatible with Most Garment CAD
建议速度: 95m <sup>2</sup> /h(2墨盒) ; 170m <sup>2</sup> /h(4墨盒) Suggest Working Speed: 95m <sup>2</sup> /h(Two Cartridges);170m <sup>2</sup> /h(Four Cartridges)	墨盒型号: Cartridge Type: HP45
上纸重量: Paper Weight: ≤35kg	绘图分辨率: Resolution: 0.025mm
纸张克重: 40-120g (实际克重需参考纸张材质) Paper Weight: 40-120g(The actual weight must refer to the paper material)	文件格式: File Format: PLT/HPGL/PLX/RPGL
电机类型: 伺服 Motor Type: Servo Motor	电源: Power Supply: AC220V/110V±10% 50/60Hz
位图打印: 支持 Bitmap Printing: Support	整机功率: Total Power: 0.4kW

### 机器配置 Configuration



高清触摸屏  
Touch screen



自主研发供墨系统  
Independently developed ink supply system



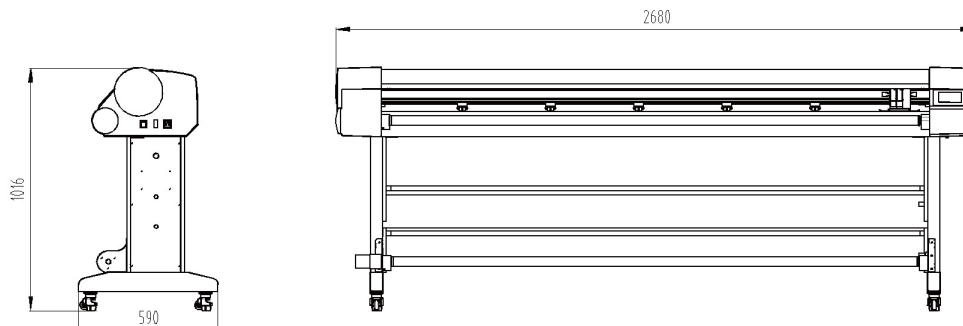
伺服驱动  
Servo drive



自动送料  
Automatic feeding

### 设备摆放示意图 Equipment Layout Diagram

Unit: mm



注/Re: 180机型——整机尺寸/180Model——Machine size: 2680mm×590mm×1016mm(L×W×H)

### 天津再登高科技股份有限公司

地址: 天津宝坻经济开发区天宝南环路8号4层

邮箱: sales@getonagain.com

网址: www.GetonAgain.com

**400-166-8581**

### Tianjin GetonAgain Co., Ltd.

Address: 4/F. No. 8, Nan Huan Road, Economic Development Zone, Baodi, Tianjin, China.

Email: sales@getonagain.com

www.GetonAgain.com